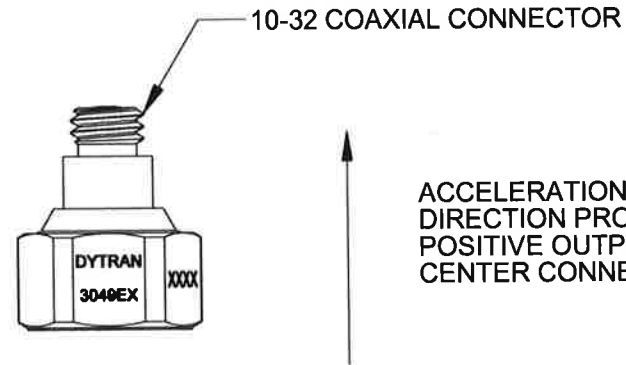
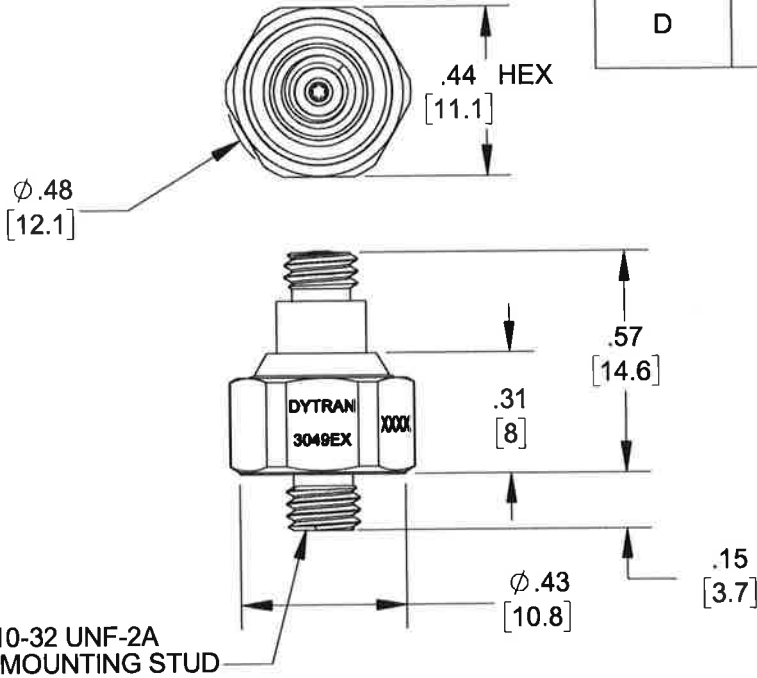


PROPRIETARY AND CONFIDENTIAL

THE INFORMATION CONTAINED IN THIS DRAWING IS THE SOLE PROPERTY OF DYTRAN INSTRUMENTS INC. ANY REPRODUCTION IN PART OR AS A WHOLE WITHOUT THE WRITTEN PERMISSION OF DYTRAN INSTRUMENTS, INC. IS PROHIBITED

REVISIONS

REV.	ECN	DESCRIPTION	BY/DATE	CHK	APPR
C	10171	3049E1 & 3049E3 - WEIGHT IS: 3.5 GRAMS WAS: 4.0 GRAMS	LN 07/10/13	DV	AS
D	13077	ADDED 3049E4 & E5	JS 10/27/16	LA	AS



ACCELERATION IN THIS DIRECTION PRODUCES POSITIVE OUTPUT ON CENTER CONNECTOR PIN

MODEL	REV	ECN	DATE	SENSITIVITY	MOUNTING	WEIGHT, MAX
3049E	B	9307	11/02/12	10 mV/g	STUD	4.2 GRAMS
3049E1	C	10171	07/10/13	10 mV/g	ADHESIVE	3.5 GRAMS
3049E2	B	9307	11/02/12	100 mV/g	STUD	4.2 GRAMS
3049E3	C	10171	07/10/13	100 mV/g	ADHESIVE	3.5 GRAMS
3049E4	A	13077	10/27/16	50mV/g	STUD	4.2 GRAMS
3049E5	A	13077	10/27/16	50mV/g	ADHESIVE	3.5 GRAMS

1 MOUNTING TORQUE TO: 8-10 lb-in
NOTES: UNLESS OTHERWISE SPECIFIED

USED ON	NEXT ASSY
APPLICATION	
THIRD ANGLE PROJECTION USA	

UNLESS OTHERWISE SPECIFIED:
INTERPRET DIM & TOL PER ASME Y14.5M - 1994.
REMOVE BURRS.
COUNTERSINK INTERNAL THDS 90° TO MAJOR DIA.
CHAM EXT THDS 45° TO MINOR DIA.
THD LENGTHS AND DEPTHS ARE FOR MIN FULL THDS.
THDS PER MIL-S-7742.
DIMENSIONS APPLY AFTER FINISHING.
ALL MACHINED SURFACES.
TOTAL RUNOUT WITHIN .005.
BREAK SHARP EDGES .005 TO .010.
MACHINED FILLET RADII .005 TO .015.
WELDING SYMBOLS PER AWS A2.4.
ABBREVIATIONS PER MIL-STD-12.

UNLESS OTHERWISE SPECIFIED:
DIMENSIONS ARE IN INCHES.
DIMENSIONS IN BRACKETS [] ARE IN MILLIMETERS
TOLERANCES ARE:
INCHES METRIC ANGLES
.XX ± .03 .X ± 0.8 ± 1°
.XXX ± .010 .XX ± 0.25

MATERIAL

FINISH

DO NOT SCALE DRAWING

CONTRACT NO.

APPROVALS		DATE
ORIG	PML	12/09/05
CHK	PML	04/17/06
APP	PML	04/17/06
APP		

DYTRAN INSTRUMENTS, INC. MASTER ONLY CHATSWORTH, CA

TITLE: **OUTLINE/INSTALLATION DRAWING, 3049E SERIES**

SIZE: A	CAGE CODE: 2W033	DWG. NO.: 127-3049E	REV: D
SCALE: 4:1	SOLIDWORKS	SHEET 1 OF 1	

Model Number 3049E1	PERFORMANCE SPECIFICATIONS	DOC NO PS3049E1
IEPE ACCELEROMETER		REV A, ECN 13077, 10/28/16



- MINIATURE DESIGN
- HERMETICALLY SEALED

PHYSICAL

Weight, Max.
 Connector, Top Mounted
 Mounting Provision
 Material (Base, Cap, Connector)
 Sensing Element

	ENGLISH		SI	
Weight, Max.	0.12	oz	3.5	grams
Connector, Top Mounted	10-32		10-32	
Mounting Provision	Adhesive		Adhesive	
Material (Base, Cap, Connector)	Titanium Alloy		Titanium Alloy	
Sensing Element	Ceramic		Ceramic	
Material Mode	Shear		Shear	

PERFORMANCE

Sensitivity, ±5% [1]
 Range for ± 5 Volts Output
 Frequency Response, ± 5%
 Resonant Frequency
 Equivalent Electrical Noise Floor
 Linearity, [2]
 Maximum Transverse Sensitivity
 Base Strain Sensitivity @ 250µε

Sensitivity, ±5% [1]	10	mV/g	1.0	mV/m/s ²
Range for ± 5 Volts Output	500	g	4905	m/s ²
Frequency Response, ± 5%	1 to 10,000	Hz	1 to 10,000	Hz
Resonant Frequency	> 35	kHz	> 35	kHz
Equivalent Electrical Noise Floor	0.003	Grms	0.03	m/s ² rms
Linearity, [2]	±2	% F.S.	±2	% F.S.
Maximum Transverse Sensitivity	5	%	5	%
Base Strain Sensitivity @ 250µε	0.004	g/µε	0.04	m/s ² /µε

ENVIRONMENTAL

Maximum Vibration
 Maximum Shock
 Temperature Range
 Seal

Maximum Vibration	600	Gpeak	5886	m/s ² peak
Maximum Shock	5000	Gpeak	49050	m/s ² peak
Temperature Range	-60 to +250	°F	-51 to 121	°C
Seal	Hermetic		Hermetic	

ELECTRICAL

Supply Current Range [3]
 Compliance Voltage Range
 Output Impedance, Typ.
 Bias Voltage
 Discharge Time Constant
 Output Signal Polarity for Acceleration Toward Top
 Electrical Isolation (Case Ground to Mounting Surface)

Supply Current Range [3]	2 to 20	mA	2 to 20	mA
Compliance Voltage Range	+18 to +30	Volts	+18 to +30	Volts
Output Impedance, Typ.	100	Ω	100	Ω
Bias Voltage	+11 to +13	VDC	+11 to +13	VDC
Discharge Time Constant	0.5 to 1.2	Sec	0.5 to 1.2	Sec
Output Signal Polarity for Acceleration Toward Top	Positive		Positive	
Electrical Isolation (Case Ground to Mounting Surface)	10	GΩ	10	GΩ

This family also includes:

Model	Sensitivity (mV/g)	Frequency Response (Hz)	Time Constant (Sec)	Operating Temp (°F)

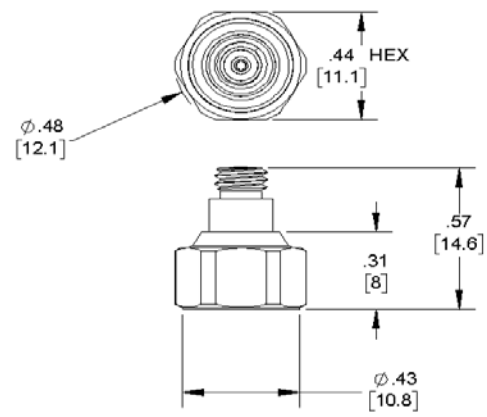
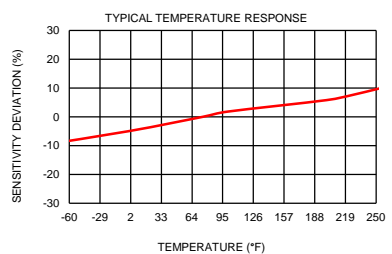
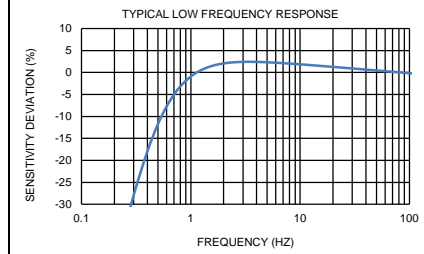
Refer to the performance specifications of the products in this family for detailed description

Supplied Accessories:

- 1) Accredited calibration certificate (ISO 17025)

Notes:

- [1] Measured at 100Hz, 1 Grms per ISA RP 37.2.
- [2] Measure using zero-based straight line method, % of F.S. or any lesser range.
- [3] Do not apply power to this system without current limiting, 20 mA MAX. To do so will destroy the IC charge amplifier.



Units on the line drawing are in inches, units in brackets are in millimeters. Refer to 127-3049E for more information.



21592 Marilla Street, Chatsworth, California 91311 Phone: 818.700.7818 Fax:818.700.7880 www.dytran.com
 For permission to reprint this content, please contact info@dytran.com