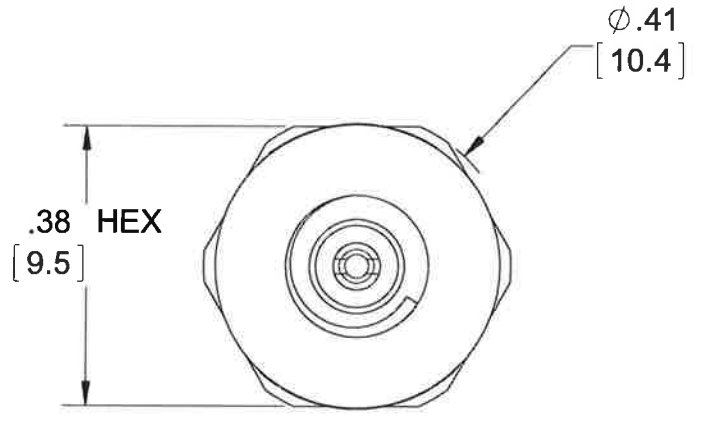


PROPRIETARY AND CONFIDENTIAL

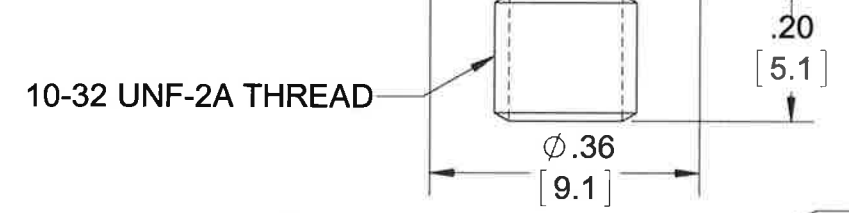
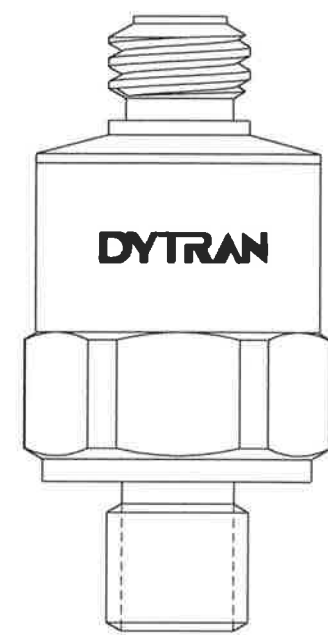
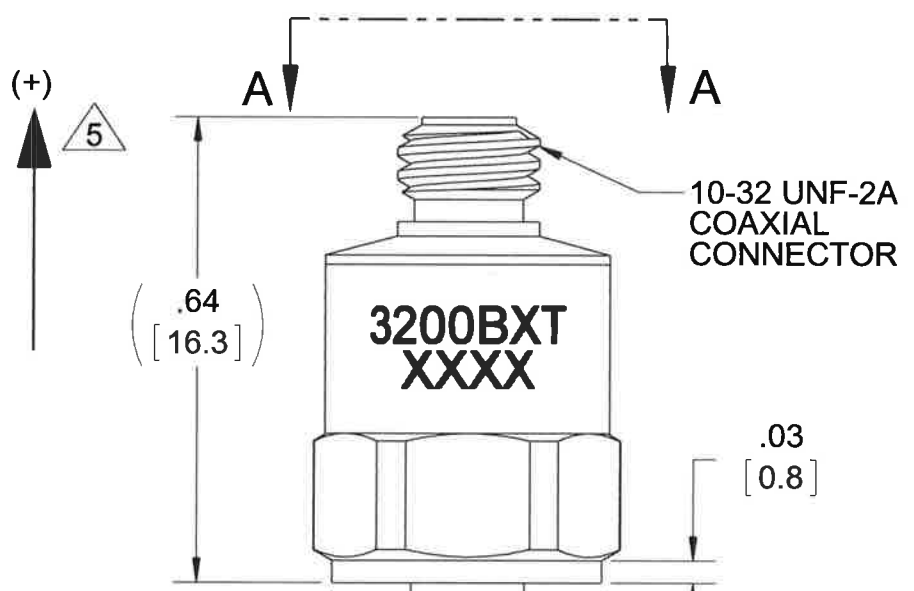
THE INFORMATION CONTAINED IN THIS DRAWING IS THE SOLE PROPERTY OF DYTRAN INSTRUMENTS INC. ANY REPRODUCTION IN PART OR AS A WHOLE WITHOUT THE WRITTEN PERMISSION OF DYTRAN INSTRUMENTS INC. IS PROHIBITED

REVISIONS

REV.	ECN	DESCRIPTION	BY/DATE	CHK	APPR
A	11055	INITIAL RELEASE	EC 08/05/14	JLS	[Signature]



VIEW A-A



MOUNTING HOLE PREPARATION  
TAP 10-32 UNF-2B X .25 [6.4] MIN DEPTH  
OF PERFECT THREAD. HOLE TO BE  
PERPENDICULAR WITHIN ±1°



3200BT SERIES

5 ARROW INDICATES SENSE AND DIRECTION OF ACCELERATION FOR POSITIVE - GOING OUTPUT SIGNAL

4 PREPARE FLAT SURFACE TO THIS DIA. WITH A FINISH OF OR BETTER AND FLAT TO .001 TIR. <sup>63/</sup>

3 PREPARE MOUNTING SURFACE AS SHOWN. APPLY A LAYER OF SILICONE GREASE TO MOUNTING SURFACE. TORQUE IN PLACE WITH 30 LB-IN.

2. HOUSING MATERIAL: 17-4 PH STAINLESS STEEL

1. WEIGHT: 6 GRAMS MAX

NOTES: UNLESS OTHERWISE SPECIFIED

UNLESS OTHERWISE SPECIFIED: INTERPRET DIM & TOL PER ASME Y14.5M - 1994. REMOVE BURRS. COUNTERSINK INTERNAL THDS 90° TO MAJOR DIA. CHAM EXT THDS 45° TO MINOR DIA. THD LENGTHS AND DEPTHS ARE FOR MIN FULL THDS. DIMENSIONS APPLY AFTER FINISHING.		UNLESS OTHERWISE SPECIFIED: DIMENSIONS ARE IN INCHES DIMENSIONS IN BRACKETS [ ] ARE IN MILLIMETERS TOLERANCES ARE:	
DECIMALS .XX ±.03 .XXX ±.010	METRIC X ± 0.8 .XX ±0.25	ANGLES ±1°	
APPROVALS		DATE	
ORIG	EC	08/05/14	
CHK	EC	08/05/14	
APP	[Signature]	8/8/14	
DO NOT SCALE DRAWING		THIRD ANGLE PROJECTION USA	

**DYTRAN MASTER**  
INSTRUMENTS, INC. Chatsworth, CA ONLY IF IN RED

TITLE: **OUTLINE/INSTALLATION DRAWING,  
SEIRES 3200BT LIVM, SHOCK  
ACCELEROMETERS**

SIZE <b>B</b>	CAGE CODE <b>2W033</b>	DWG NO <b>127-3200BT</b>	REV <b>A</b>
SCALE: 4:1		SHEET 1 OF 1	

<b>MODEL NUMBER</b> <b>3200B6T</b>	<b>PERFORMANCE SPECIFICATION</b>	<b>DOC NO</b> <b>PS3200B6T</b>
	<b>SINGLE AXIS ACCELEROMETER, IEPE</b>	REV B, ECN 12864, 08/12/16



**PHYSICAL**

Weight	0.21	oz
Mounting Provision	10-32 UNF-2A	
Connector	Coaxial	
Material Body	17-4 PH S.S.	
Sensing Element	Quartz	

ENGLISH	SI
Weight	6.0 grams
Mounting Provision	10-32 UNF-2A
Connector	Coaxial
Thread	10-32 UNF-2A
Material	17-4 PH S.S.
Isolation	Case Isolated
Material	Quartz
Mode	Compression

**PERFORMANCE**

Sensitivity +/- 10% [1]	2.0	mV/g
Maximum Range F.S.	2500	g
Frequency Response, ± 5%	.50 to 10000	Hz
± 10%	.35 to 20000	Hz
± 3db	.16 to >50000	Hz
Mounted Resonant Frequency	> 90	kHz
Electrical Noise	0.035	Grms
Linearity [2]	± 1%	%F.S
Transverse Sensitivity, Max.	3	%

Sensitivity	0.2	mV/ m/s <sup>2</sup>
Maximum Range	24500	m/s <sup>2</sup>
Frequency Response	.50 to 10000	Hz
± 10%	.35 to 20000	Hz
± 3db	.16 to >50000	Hz
Mounted Resonant Frequency	> 90	kHz
Electrical Noise	0.34	m/s <sup>2</sup> rms
Linearity [2]	± 1%	%F.S
Transverse Sensitivity, Max.	3	%

**ENVIRONMENTAL**

Maximum Shock (peak)	± 50000	G peak
Temperature Range	-60 to +250	°F
Seal	Epoxy	

Maximum Shock	± 490500	m/s <sup>2</sup> peak
Temperature Range	-51 to +121	°C
Seal	Epoxy	

**ELECTRICAL**

Power Supply [3]	2 to 20	mA
Compliance Voltage Range	+18 to +30	V
Output Impedance	100	Ω
Bias Voltage	+7.5 to +9.5	VDC
Discharge Time Constant	1 to 1.5	sec
Electrical Isolation [4]	10	GΩ
Grounding	Case Isolated	

Power Supply	2 to 20	mA
Compliance Voltage Range	+18 to +30	V
Output Impedance	100	Ω
Bias Voltage	+7.5 to +9.5	VDC
Discharge Time Constant	1 to 1.5	sec
Electrical Isolation [4]	10	GΩ
Grounding	Case Isolated	

**This family also includes:**

Model	Sensitivity (mV/g)	Range (Gpeak)	Resolution (Grms)	Oper. Temp(°F)	Time Constant (Sec)
3200BT	0.05	70000	1.4	-60 to +250	1.0 to 1.5
3200B2T	0.1	50000	0.7	-60 to +250	1.0 to 1.5
3200B3T	0.25	20000	0.28	-60 to +250	1.0 to 1.5
3200B4T	0.5	10000	0.14	-60 to +250	1.0 to 1.5
3200B5T	1.0	5000	0.07	-60 to +250	1.0 to 1.5

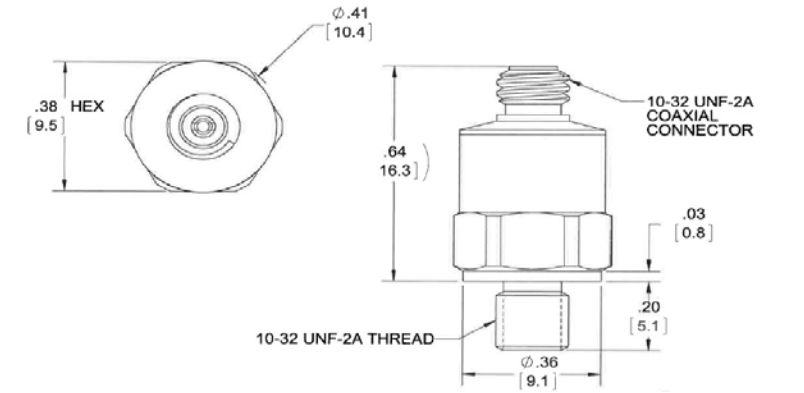
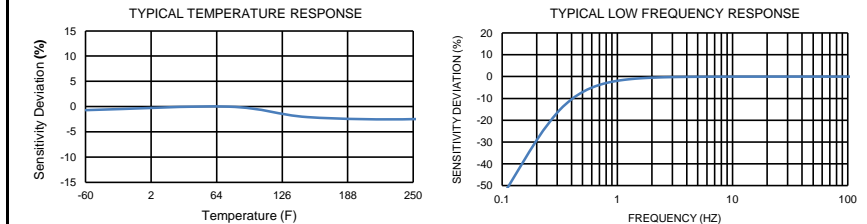
Refer to the performance specifications of the products in this family for detailed description.

**Supplied Accessories:**

- 1) Accredited calibration certificate (ISO 17025)

**Notes:**

- [1] Measured at 100 Hz, 1 GRMS per ISA RP 37.2.
- [2] Measured using zero-based best straight-line method, % of F.S. or any lesser range.
- [3] Do not apply power to this device without current limiting, 20 mA MAX. To do so will destroy the integral IC amplifier.
- [4] Case ground to mounting surface.



Units on the line drawing are in inches, units in brackets are in millimeters. Refer to 127-3200BT for more information.



21592 Marilla Street, Chatsworth, California 91311 Phone: 818.700.7818 Fax:818.700.7880  
[www.dytran.com](http://www.dytran.com) For permission to reprint this content, please contact [info@dytran.com](mailto:info@dytran.com)