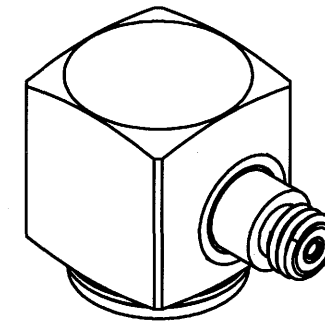
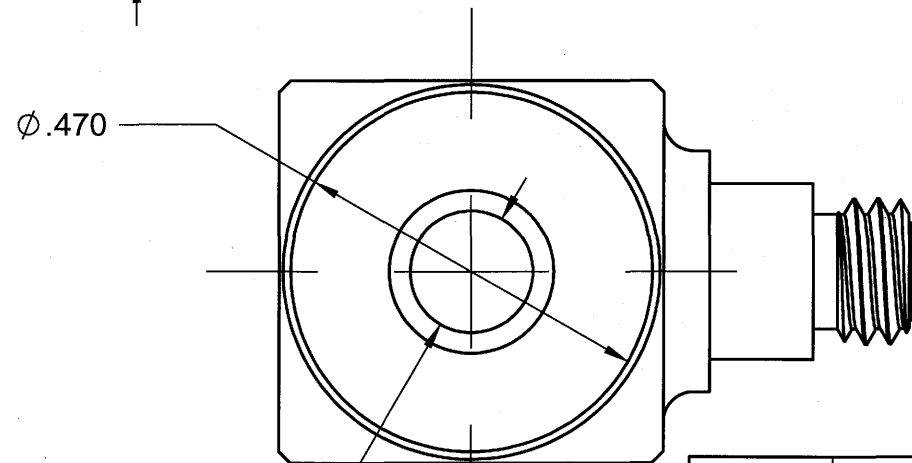
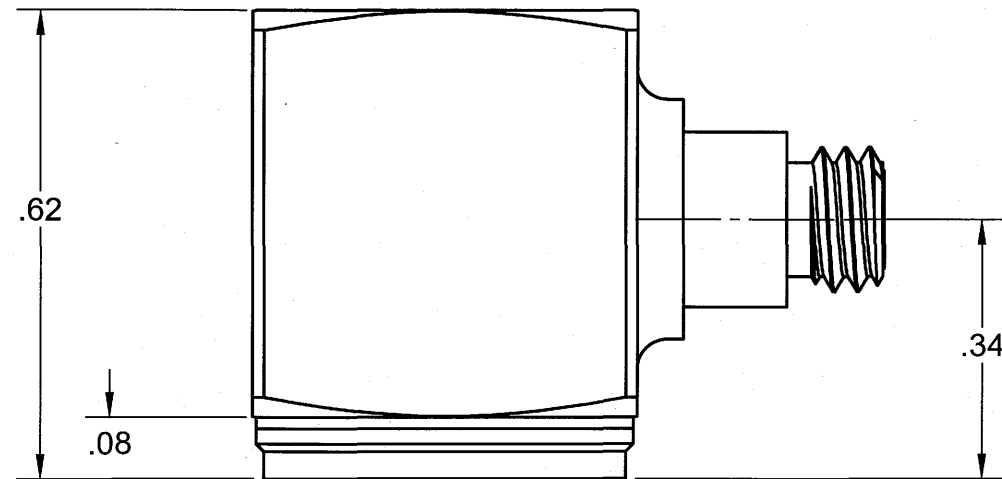
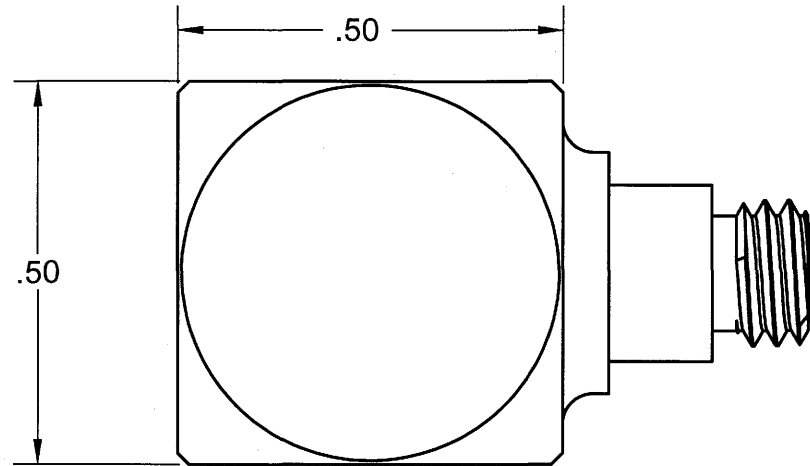


PROPRIETARY AND CONFIDENTIAL

THE INFORMATION CONTAINED IN THIS DRAWING IS THE SOLE PROPERTY OF DYTRAN INSTRUMENTS INC. ANY REPRODUCTION IN PART OR AS A WHOLE WITHOUT THE WRITTEN PERMISSION OF DYTRAN INSTRUMENTS INC IS PROHIBITED.

REVISIONS

REV.	ECN	DESCRIPTION	BY/DATE	CHK	APPR
A	5013	INITIAL RELEASE	JS 01-10-08	<i>ces</i>	<i>ces</i>



MODEL	SENSITIVITY	REV	DATE
	mV/g		
3234A1	10	A	10/19/07
3234A2	100	A	10/19/07
3234A3	500	A	10/19/07

TAPPED HOLE FOR
10-32 MOUNTING STUD
(MODEL 6200, SUPPLIED)

DRILL HOLE SIZE	TOLERANCE	UNLESS OTHERWISE SPECIFIED: INTERPRET DIM & TOL PER ASME Y14.5M - 1994. REMOVE BURRS. COUNTERSINK INTERNAL THDS 90° TO MAJOR DIA. CHAM EXT THDS 45° TO MINOR DIA. THD LENGTHS AND DEPTHS ARE FOR MIN FULL THDS. THDS PER MIL-S-7742. DIMENSIONS APPLY AFTER FINISHING
.0135 THRU .125	+ .004 / - .001	ALL MACHINED SURFACES. \checkmark TOTAL RUNOUT WITHIN .005. BREAK SHARP EDGES .005 TO .010. MACHINED FILLET RADII .005 TO .015. WELDING SYMBOLS PER AWS A2.4. ABBREVIATIONS PER MIL-STD-12.
.1260 THRU .250	+ .005 / - .001	
.2510 THRU .500	+ .006 / - .001	
.5010 THRU .750	+ .008 / - .001	
.7510 THRU 1.000	+ .010 / - .001	
1.001 THRU 2.000	+ .012 / - .001	

THIRD ANGLE PROJECTION
USA

UNLESS OTHERWISE SPECIFIED:
DIMENSIONS ARE IN INCHES.
TOLERANCES ARE:
DECIMALS .XX ± .010
.XXX ± .005
ANGLES ± 1°

CONTRACT NO.

APPROVALS DATE

ORIG PML 10/19/07

CHK *ces* 01.10.08

APP *ces* 01.10.08

MATERIAL:
Ti 6Al-4V

FINISH:

DO NOT SCALE DRAWING



TITLE: **OUTLINE DRAWING,
3234A**

SIZE B	CAGE CODE 2W033	DWG NO 127-3234A	REV A
------------------	---------------------------	----------------------------	-----------------

SCALE: 4:1 SOLIDWORKS SHEET 1 of 1



**SPECIFICATIONS
MODEL SERIES 3234A IEPE ACCELEROMETERS**

SPECIFICATION	VALUE	UNITS
PHYSICAL		
WEIGHT	12	grams
SIZE, SQUARE x HEIGHT	.50 x 0.62	inches
MOUNTING PROVISION	10-32 X .150 DEEP TAPPED HOLE	
CONNECTOR, SIDE MOUNTED	10-32 Coaxial	
MATERIAL, BASE, CAP & CONNECTOR	TITANIUM	
SEISMIC ELEMENT TYPE	CERAMIC, PLANAR SHEAR	
	MODELS	
	3234A1 3234A2 3234A3	
PERFORMANCE		
SENSITIVITY, ± 5% [1]	10 100 500	mV/g
RANGE F.S. FOR ± 5 VOLTS OUTPUT	± 500 ±50 ±10	g's
FREQUENCY RANGE, ± 5% (all models)	1 to 10,000	Hz
RESONANT FREQUENCY (all models)	>35	kHz
EQUIVALENT ELECTRICAL NOISE	.007 .0007 .0002	grms
LINEARITY [2] (all models)	±2	% F.S.
TRANSVERSE SENSITIVITY, MAX. (all models)	5	%
BASE STRAIN SENSITIVITY	0.0028	g's/μσ
	3234A1 3234A2 3234A3	
ENVIRONMENTAL		
MAXIMUM VIBRATION/SHOCK	600/5000 400/5000 200/5000	± gpk
TEMPERATURE RANGE	-60 to +250 -60 to +225 -60 to +180	°F
SEAL, HERMETIC	Glass-to-metal/welded	
COEFFICIENT OF THERMAL SENSITIVITY	.06	%/°F
ELECTRICAL		
SUPPLY CURRENT [3]	2 to 20	mA
COMPLIANCE VOLTAGE RANGE	18 to +30	Volts
OUTPUT IMPEDANCE, TYP.	100	Ω
BIAS VOLTAGE	+11 to +13	VDC
DISCHARGE TIME CONSTANT	0.5 to 1.0	Sec
OUTPUT SIGNAL POLARITY	Positive	
FOR ACCELERATION TOWARD TOP		
ELECTRICAL ISOLATION	10MΩ MIN	

Accessories supplied: (1) Model 6200 mounting stud.

[1] Measured at 100 Hz, 1 grms per ISA RP 37.2.

[2] Measured using zero-based best straight line method, % of F.S. or any lesser range.

[3] Do not apply power to this device without current limiting, 20 mA MAX. To do so will destroy the integral IC amplifier.