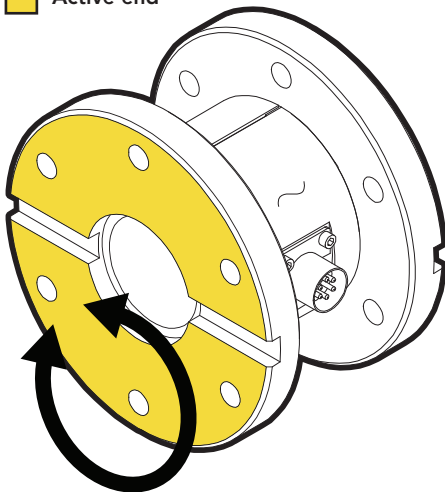




**FEATURES**

- Easily integrates into OEM applications
- Designed for Torque auditing
- Aluminum & stainless-steel construction
- Strain gauge based

 Active end



- Output (CCW)  
+ Output (CW)

**SPECIFICATIONS**

**PERFORMANCE**

Nonlinearity	±0.2% of RO
Hysteresis	±0.2% of RO
Nonrepeatability	±0.2% of RO

**ELECTRICAL**

Rated Output (RO)	2 mV/V nom
Excitation (VDC or VAC)	18 max
Bridge Resistance	350 Ohm nom
Connection	6 Pin BENDIX Receptacle (PT02E-10-6P)
Connector Code	CC1

**MECHANICAL**

Weight (approximate)	See chart on next page
Safe Overload	150% of RO
Material	Aluminum (Cover) Aluminum (Flexure 2000 in-lb) 17-4 PH stainless steel (Flexure 10000 in-lb)
IP Rating	IP40

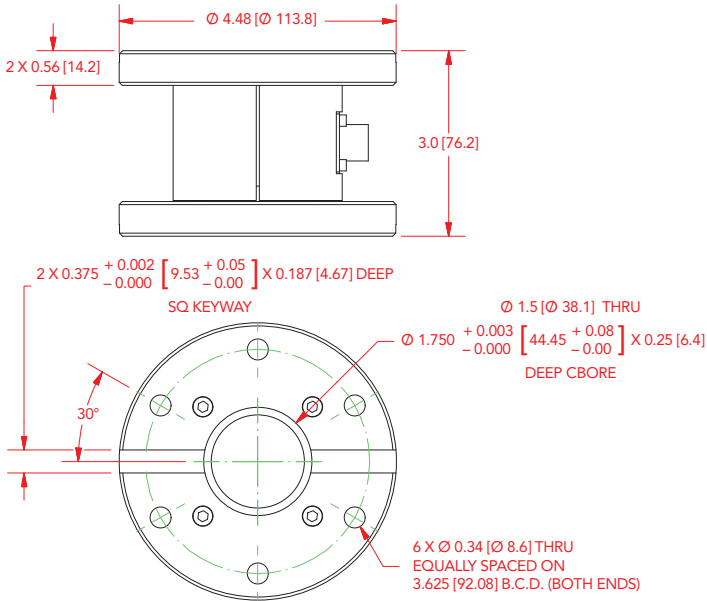
**TEMPERATURE**

Operating Temperature	-60 to 200°F (-50 to 93°C)
Compensated Temperature	60 to 160°F (15 to 72°C)
Temperature Shift Zero	±0.002% of RO/°F (0.0036% of RO/°C)
Temperature Shift Span	±0.002% of Load/°F (0.0036% of Load/°C)

**CALIBRATION**

Calibration Test Excitation	10 VDC
Calibration (standard)	5-pt CW
Calibration (available)	5-pt CW & CCW
Shunt Calibration Value	60.4 kOhm

## DIMENSIONS inches [mm]



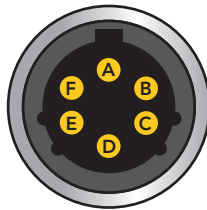
## CAPACITIES

ITEM #	in-lb	Nm	Natural Frequency (Hz)	Torsional Stiffness ft-lb/rad	Weight
FSH04020	2000	225	1600	45300	2 lb [0.9 kg]
FSH04021	10000	1130	2200	215000	5 lb [2.3 kg]

\* FOR LOWER CAPACITIES REFER TO TFF400, TSS400, TDD400, TDF400

## BENDIX 6-PIN

PIN	COLOR	DESCRIPTION
A	Red	+ Excitation
B	Black	- Excitation
C	Green	+ Signal
D	White	- Signal
E	Orange	+ Sense
F	Blue	- Sense



Sensor Receptacle View

Drawing Number: FI1433

FUTEK reserves the right to modify its design and specifications without notice. Please visit <http://www.futek.com/salesterms> for complete terms and conditions.

10 Thomas, Irvine, CA 92618 USA

Tel: (949) 465-0900

Fax: (949) 465-0905

[www.futek.com](http://www.futek.com)



ROHS



U.S. Manufacturer