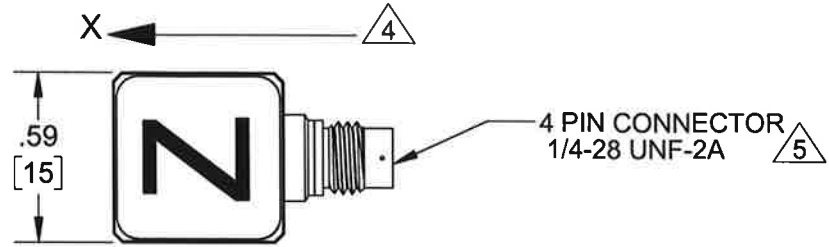
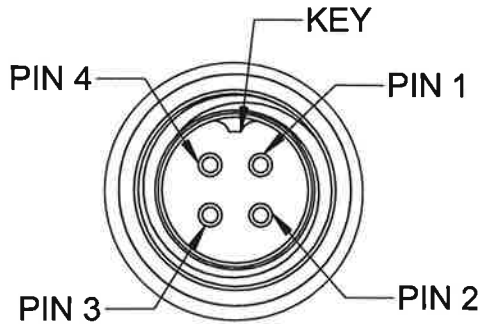


PROPRIETARY AND CONFIDENTIAL

THE INFORMATION CONTAINED IN THIS DRAWING IS THE SOLE PROPERTY OF DYTRAN INSTRUMENTS INC. ANY REPRODUCTION IN PART OR AS A WHOLE WITHOUT THE WRITTEN PERMISSION OF DYTRAN INSTRUMENTS, INC. IS PROHIBITED

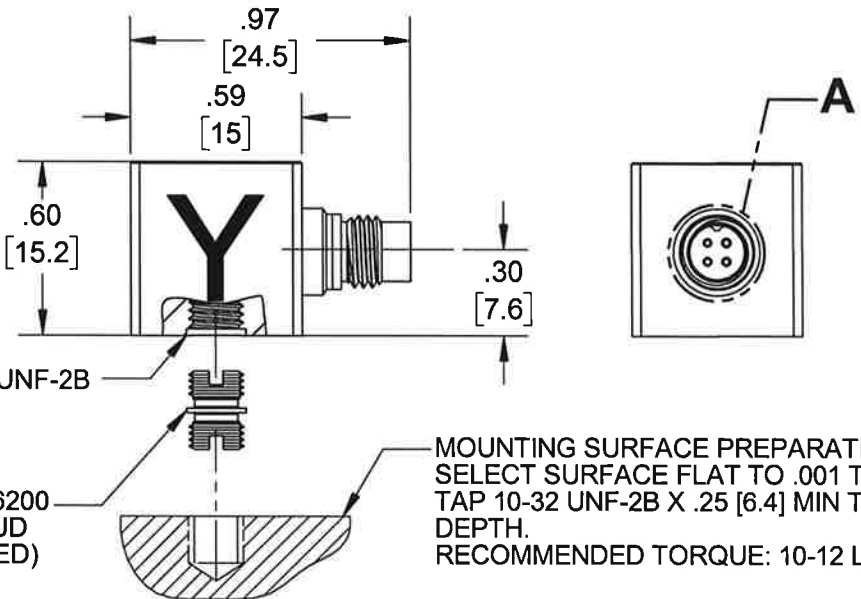
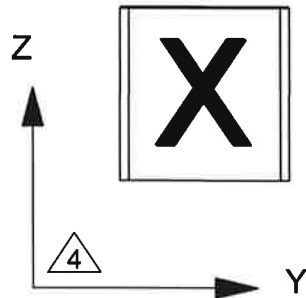
REVISIONS

REV.	ECN	DESCRIPTION	BY/DATE	CHK	APPR
A	10749	INITIAL RELEASE	EM 07/18/16	RA	K



DETAIL A

CONNECTOR PIN OUT
 PIN 1 GND RETURN, COMMON
 PIN 2 SIG/PWR AXIS 2 (Y)
 PIN 3 SIG/PWR AXIS 3 (Z)
 PIN 4 SIG/PWR AXIS 1 (X)



5 MATES WITH DYTRAN CABLE 6967AXX (XX=LENGTH IN FEET)

4 ARROWS INDICATE ACCELERATION DIRECTION FOR POSITIVE OUTPUT.

3. HOUSING AND CONNECTOR MATERIAL: TITANIUM

2. WEIGHT: 15 GRAMS MAX.

1. ENVIRONMENTAL SEAL: HERMETIC

NOTES: UNLESS OTHERWISE SPECIFIED

USED ON	NEXT ASSY
APPLICATION	
THIRD ANGLE PROJECTION USA	

UNLESS OTHERWISE SPECIFIED:
 INTERPRET DIM & TOL PER ASME Y14.5M - 1994.
 REMOVE BURRS.
 COUNTERSINK INTERNAL THDS 90° TO MAJOR DIA.
 CHAM EXT THDS 45° TO MINOR DIA.
 THD LENGTHS AND DEPTHS ARE FOR MIN FULL THDS.
 THDS PER MIL-S-7742.
 DIMENSIONS APPLY AFTER FINISHING.
 ALL MACHINED SURFACES.
 TOTAL RUNOUT WITHIN .005.
 BREAK SHARP EDGES .005 TO .010.
 MACHINED FILLET RADII .005 TO .015.
 WELDING SYMBOLS PER AWS A2.4.
 ABBREVIATIONS PER MIL-STD-12.

UNLESS OTHERWISE SPECIFIED:
 DIMENSIONS ARE IN INCHES. DIMENSIONS IN BRACKETS [] ARE IN MILLIMETERS
 TOLERANCES ARE:
 INCHES METRIC ANGLES
 .XX ± .03 .X ± 0.8 ± 1°
 .XXX ± .010 .XX ± 0.25

MATERIAL	
FINISH	
DO NOT SCALE DRAWING	

CONTRACT NO.



TITLE:
OUTLINE/INSTALLATION DRAWING, 3543A

APPROVALS		DATE
ORIG	LN	02/01/16
CHK	RA	07/21/16
APP	RT	07/21/16
APP		

SIZE A	CAGE CODE 2W033	DWG. NO. 127-3543A	REV A
SCALE: 2:1		SOLIDWORKS	SHEET 1 OF 1

3543A

PERFORMANCE SPECIFICATION

DOC NO
PS3543A

Accelerometer, Triaxial, IEPE

REV C, ECN 12996, 10/14/16



- GROUND ISOLATED
- HERMETICALLY SEALED
- STUD MOUNT

PHYSICAL

Weight, Max.
Mounting
Connector [1]

Type

Material

Housing

Material

Isolation

Sensing Element

Material

Element

ENGLISH		SI	
0.5	oz	15	grams
10-32 Stud Mount		10-32 Stud Mount	
4-pin		4-pin	
Titanium		Titanium	
Titanium		Titanium	
Case Isolated		Case Isolated	
Piezoelectric		Piezoelectric	
Shear		Shear	

PERFORMANCE

Sensitivity, ±10% [2]
Acceleration Range, ±
Frequency Range, ±5%
Frequency Range, ±10%
Frequency Range, ±15%
Resonance Frequency
Linearity [3]
Transverse Sensitivity, Max.
Noise floor
Spectral Noise

1Hz
10Hz
100Hz
1000Hz
10000Hz

100	mV/g	10.2	mV/m/s ²
50	Gpeak	491	m/s ² peak
2 to 2000	Hz	2 to 2000	Hz
1.3 to 3000	Hz	1.3 to 3000	Hz
1 to 5000	Hz	1 to 5000	Hz
>25	kHz	>25	kHz
±1	% F.S.	±1	% F.S.
6	%	6	%
0.0008	Grms	0.008	m/s ² rms
300	μGrms/√(Hz)	2943	um/s ² rms/√(Hz)
60	μGrms/√(Hz)	588.6	um/s ² rms/√(Hz)
20	μGrms/√(Hz)	196.2	um/s ² rms/√(Hz)
10	μGrms/√(Hz)	98	um/s ² rms/√(Hz)
10	μGrms/√(Hz)	98	um/s ² rms/√(Hz)

ELECTRICAL

Supply Current Range [4]
Compliance Voltage Range
Output Impedance, Typ.
Output Bias Voltage
Discharge Time Constant
Ground Isolation

2 to 20	mA	2 to 20	mA
+18 to +30	VDC	+18 to +30	VDC
100	Ω	100	Ω
+7 to +9	VDC	+7 to +9	VDC
0.25 to 2.0	sec	0.25 to 2.0	sec
≥10	GΩ	≥10	GΩ

ENVIRONMENTAL

Shock Max.
Vibration Max.
Operating Temperature
Seal
Base Strain Sensitivity

1500	g pk	14715	m/s ²
500	g pk	4905	m/s ²
-60 to +320	°F	-51 to +160	°C
Hermetic		Hermetic	
0.002	g/με	0.02	m/s ² /με

This family also includes:

Model	Sensitivity (mV/g)	Range (Gpeak)	Noise Resolution (Grms)	Temp Range (°F)	Time Constant (sec)

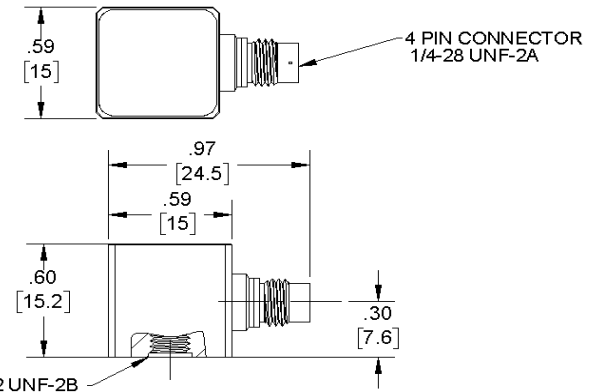
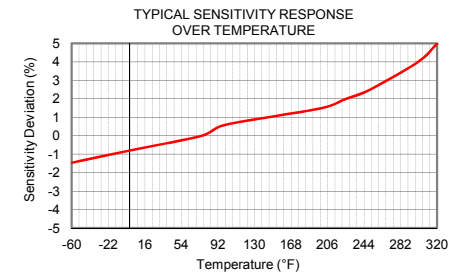
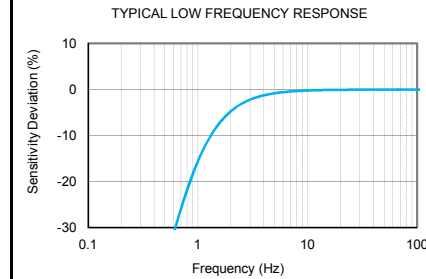
Please refer to the performance specifications of the products in this family for detailed description.

Supplied Accessories:

- 1) Accredited Calibration Certificate (ISO 17025).
- 2) Mounting stud model 6200, (10-32 to 10-32).

Notes:

- [1] Glass to Metal Seal connector. Mates with Dytran cable Model 6967AXX (XX=length in feet).
- [2] Measured At 100 Hz, 1 Grms per ISA RP 37.2.
- [3] Measured using zero-based best straight-line method.
- [4] Do not apply power to this device without current limiting, 20mA Max, to do so will destroy the integral IC amplifier.



Units on the line drawing are in inches, units in brackets are in millimeters. Refer to 127-3543A for more information.



21592 Marilla Street, Chatsworth, California 91311 Phone: 818.700.7818 Fax: 818.700.7880 www.dytran.com
For permission to reprint this content, please contact info@dytran.com