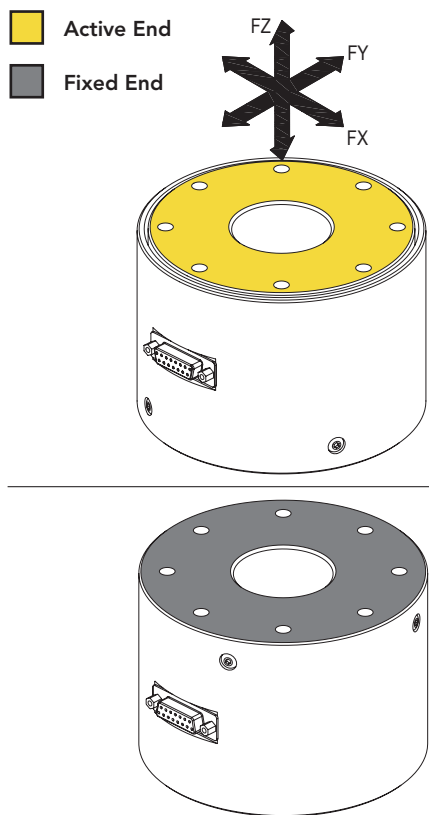




FEATURES

- Can support simultaneous force measurements on the X, Y, Z axes
- Used for wind tunnel model applications
- Used for triaxial dynamometer applications for motion studies



SPECIFICATIONS

PERFORMANCE

Capacity	Ch Fx 2500 lb; Ch Fy 2500 lb; Ch Fz 5000 lb
Nonlinearity	±0.5% of RO
Hysteresis	±0.5% of RO
Nonrepeatability	±0.2% of RO

ELECTRICAL

Rated Output (RO)	1.50 mV/V nom (Fx, Fy) 0.75 mV/V nom (Fz)
Excitation (VDC or VAC)	18 max
Bridge Resistance	350 Ohm (Fx, Fy) 700 Ohm (Fz)
Insulation Resistance	≥500 MOhm @ 50 VDC
Connection	DB15 Female
Connector Code	CC9

MECHANICAL

Weight (approximate)	8 lb [3.6 kg]
Safe Overload	150% of RO
Material	17-4 PH stainless-steel
IP Rating	IP40

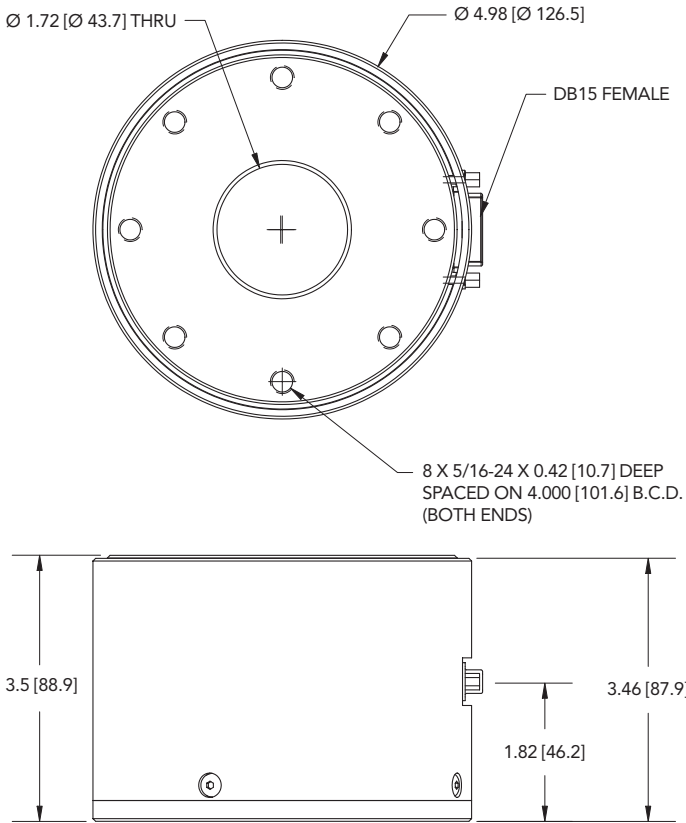
TEMPERATURE

Operating Temperature	0 to 160°F (-17 to 71°C)
Compensated Temperature	60 to 160°F (15 to 72°C)
Temperature Shift Zero	±0.02% of RO/°F (0.036% of RO/°C)
Temperature Shift Span	±0.02% of Load/°F (0.036% of Load/°C)

CALIBRATION

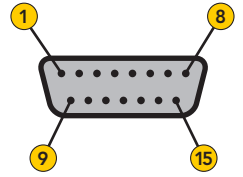
Calibration Test Excitation	10 VDC
Calibration (standard)	5-pt Compression
Calibration (available)	Tension and Compression
Shunt Calibration Value	75 kOhm (Fx, Fy) 200 kOhm (Fz)

DIMENSIONS inches [mm]



DB15 FEMALE (CC9)

PIN	DESCRIPTION	CH
1	+ Excitation	
2	- Excitation	
3	- Signal	FX
4	+ Signal	
5	+ Excitation	
6	- Excitation	FY
7	- Signal	
8	+ Signal	
9	+ Excitation	
10	- Excitation	FZ
11	- Signal	
12	+ Signal	



CAPACITY

lb	Deflection (in)	Natural Frequency (Hz)
F _x - 2500	0.003	1600
F _y - 2500	0.003	1600
F _z - 5000	0.001	4000

Drawing Number: F11194-C

FUTEK reserves the right to modify its design and specifications without notice. Please visit www.futek.com/salesterms for complete terms and conditions.

10 Thomas, Irvine, CA 92618 USA

Tel: (949) 465-0900

Fax: (949) 465-0905

www.futek.com



U.S. Manufacturer